

Direct Connect iPod Adapter

FUSION / MILAN / MKZ 2006 – 2008

Installation Guide

Connection to factory AM/FM/AUX Radio

EQUIPPED WITH SINGLE CD OR CD6 RADIO

©2007 Brandmotion LLC



Parts List



Adapter Box

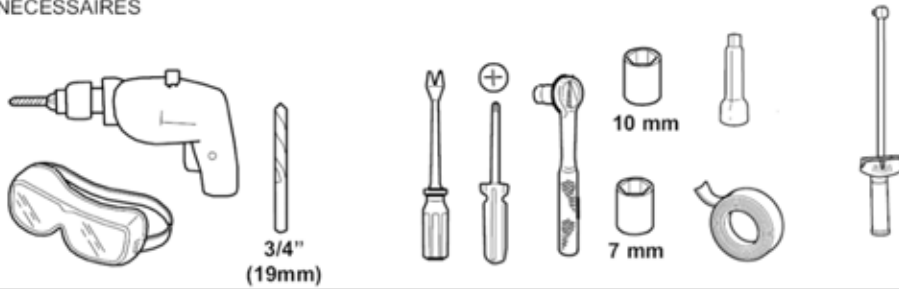


iPod Connection Cable

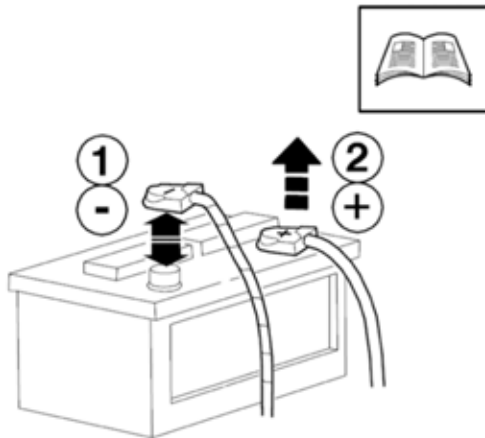


Radio Short Harness

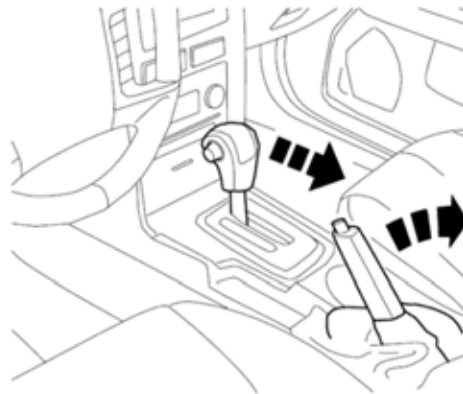
TOOLS REQUIRED
HERRAMIENTAS NECESARIAS
OUTILS NÉCESSAIRES



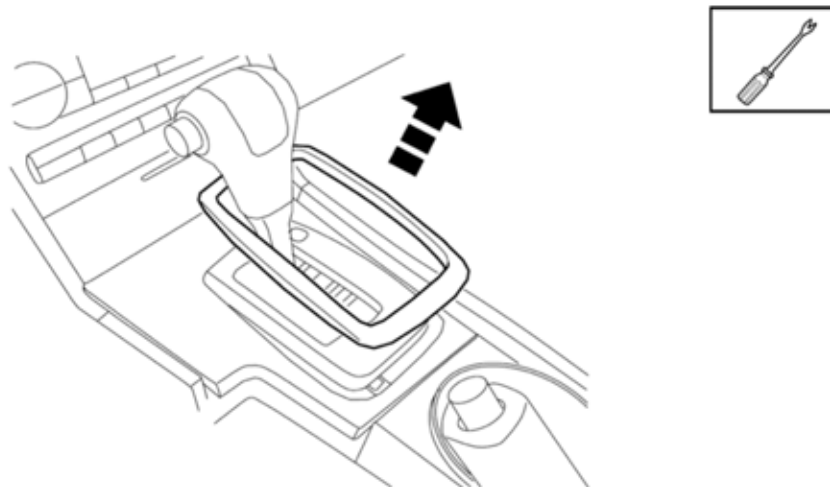
2

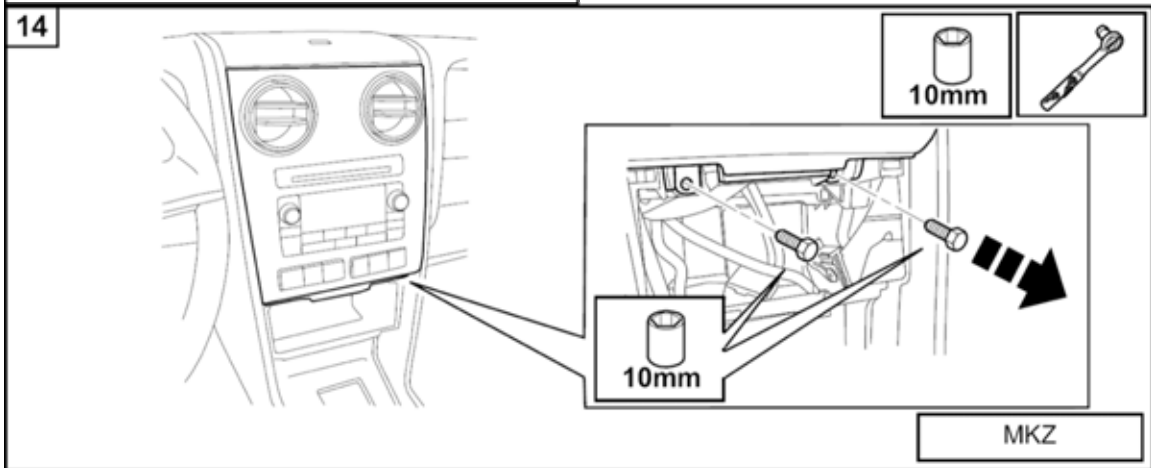
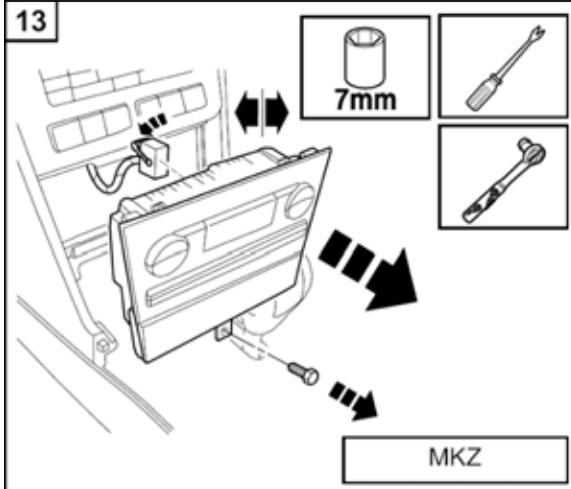
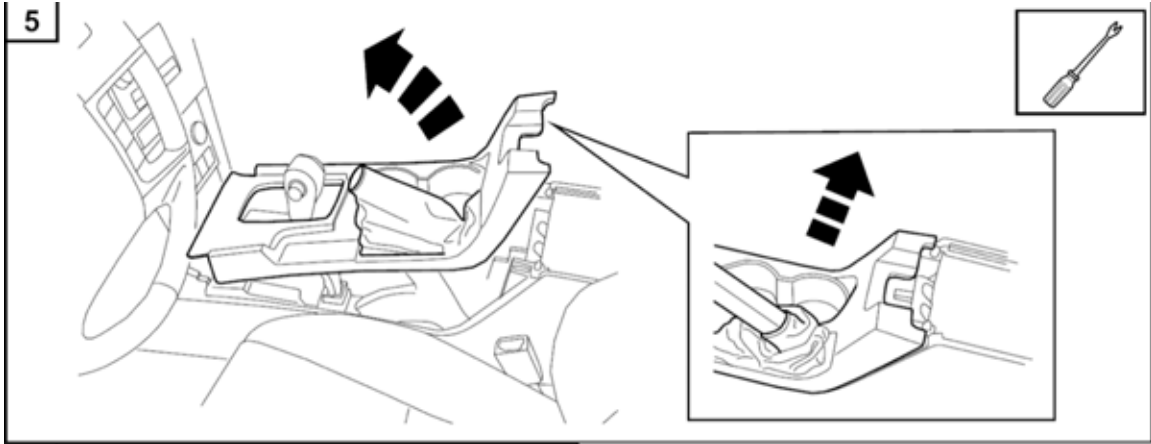


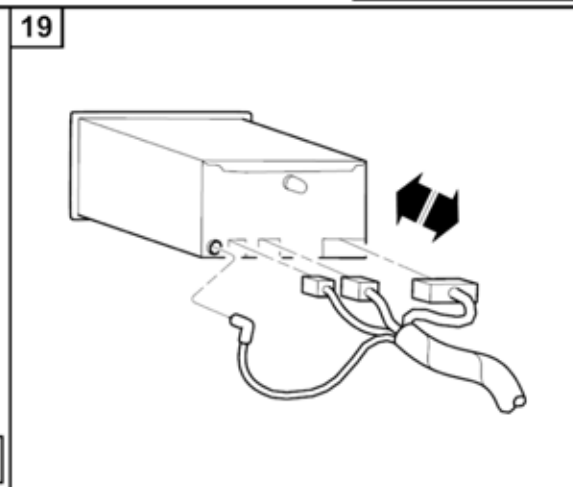
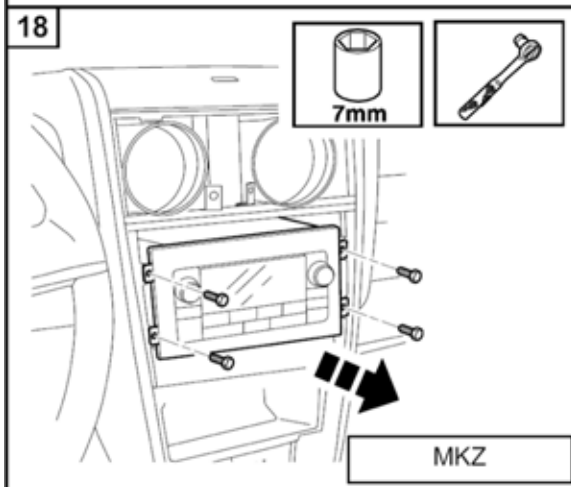
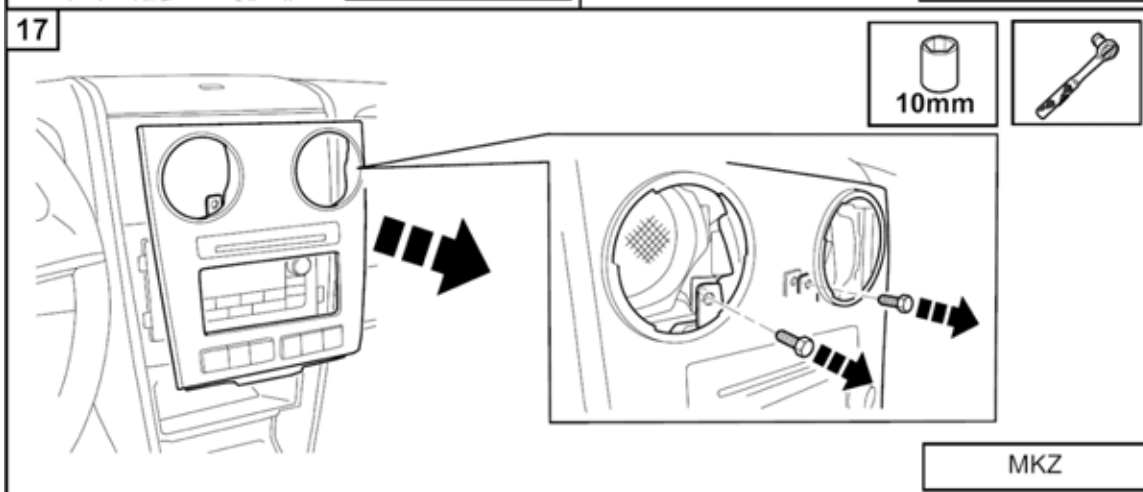
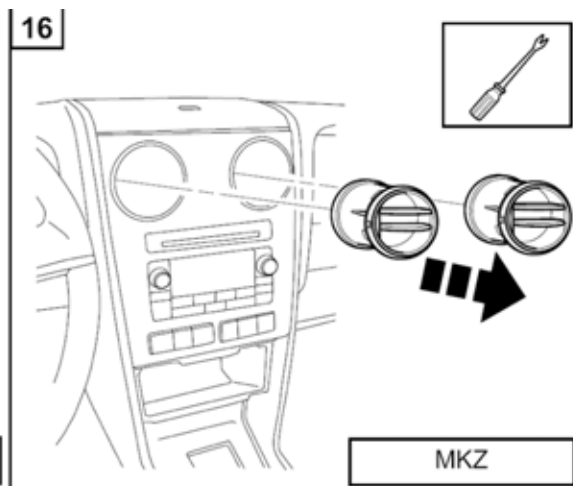
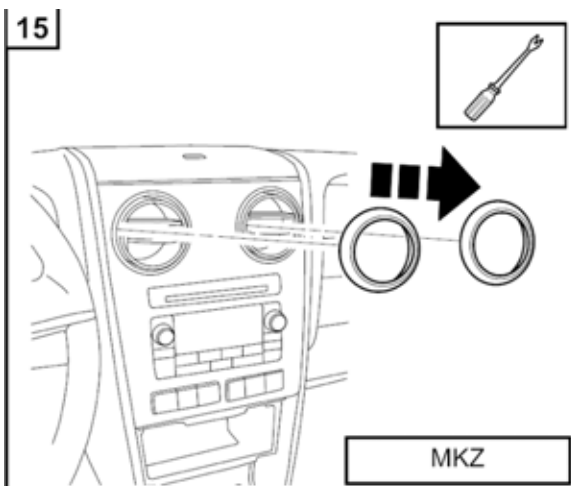
3



4





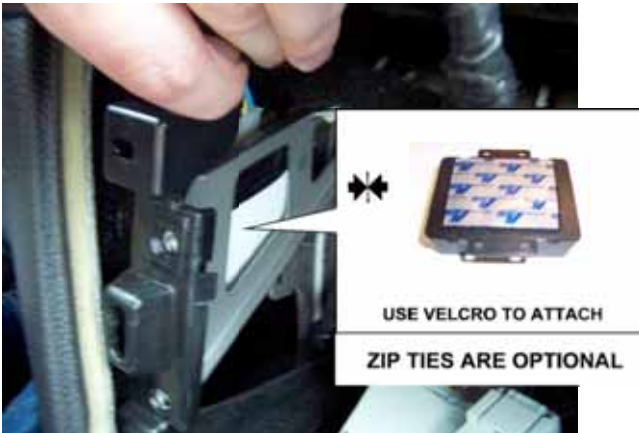




Connect the iPod Adapter Harness to the vehicle harness; Connect the other end to the radio.



Connect the harness, and the iPod Connection Cable to the Adapter box.



Secure the iPod Adapter box to the vehicle in a location that won't interfere with any other equipment.

Route the iPod Connection Cable through your vehicle to a location near where you want to locate your iPod.

If your location cannot be reached by the 1 meter cable, you may need to mount the Adapter box closer to the iPod location.



Test the system for functionality before you re-install your vehicle trim. See the owner's manual for operating instructions.

AVOID ANY MOVING PARTS or SHARP EDGES – for example; VACUUM MOTORS, BRACKETS etc.

REVERSE TRIM REMOVAL STEPS FOR RE-INSTALLATION

This unit is designed for negative ground 12 V DC operation only. Do not pinch the wires under a screw, or in moving parts (seat railing, etc.)

Before making connections, turn the car ignition off to avoid short circuits.

Be sure to insulate any loose, unconnected leads with electrical tape for safety.

iPod is a trademark of Apple Computer, Inc., registered in the U.S. and other countries.