

1110- 2521

Installation Instructions

IMPORTANT: Check kit contents and read instructions before installing. For the latest full color instructions please visit www.brandmotion.com

Kit Contents

- Auto Dimming Mirror
- Mirror Harness
- GDO Remote (in mirror)
- These instructions

Mirror Mounting

NOTE 1: This mirror has a Wedge/ D-tab style mounting base; please check our Application Guide to ensure it is compatible with your vehicle. Additionally, Brandmotion offers windshield mirror adapter brackets which are available separately.

NOTE 2: In some cases, it may be necessary to remove the cover on the supplied mirror to access the wedge mount on the windshield and/or modify the cover slightly to clear the mirror mount. Additionally, if your vehicle is equipped with a mirror cover, mirror adjustability may be restricted.

To install:

1. Loosen vehicle mirror screw using a T10 Torx driver and remove existing vehicle mirror.
CAUTION: Do not twist mirror as windshield damage could result.
2. Carefully slide supplied Mirror onto windshield tab.
3. Torque supplied Mirror screw to 1.8 Nm (16 lb-in) and do not exceed 2.2 Nm (19.5 lb-in).

Mirror Wiring

1. Use a multimeter to test for vehicle Ignition (+) . Typical locations are behind the driver or passenger side kick panel or under the dash.
2. Plug supplied Mirror Harness into supplied Mirror and route beneath headliner and down the A-pillar closest to the Ignition location.
3. Splice Mirror Harness wires to the following required connections:

Red - Ignition controlled power 12v+ when key is ON

Black - Chassis ground

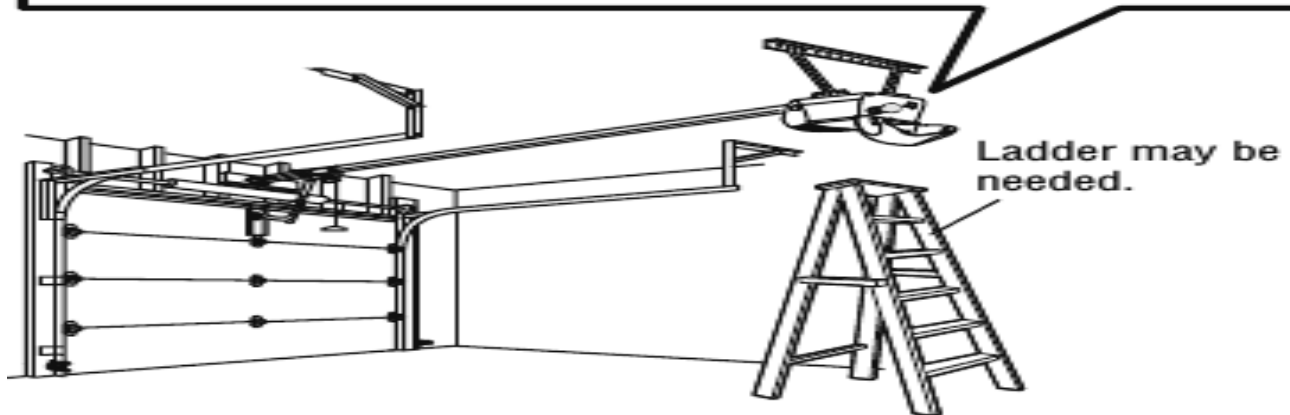
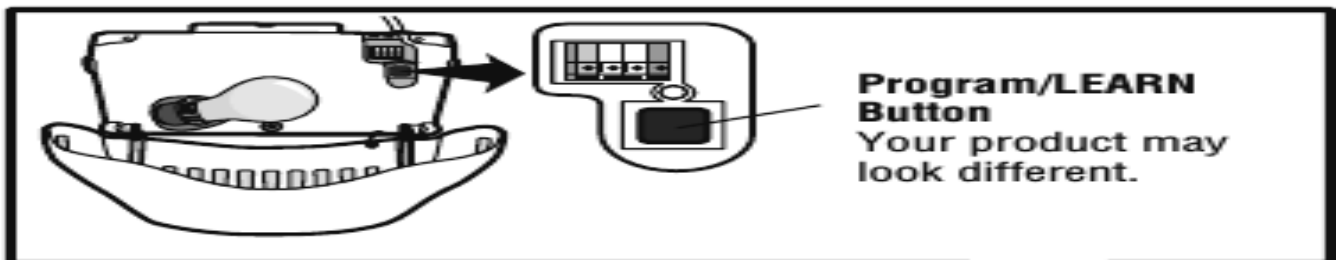


Programming Universal Remote Control

Step 1: Determine if your product has a Program/Learn button or dipswitches. If your product has Program/Learn button follow instructions below. If your product has switches instead of a Program/Learn button, an App is required for programming. Download the ARQ Universal Remote Control app from the App store or Google Play store and follow the instructions in the app.

BEFORE YOU BEGIN

Locate the Program/LEARN button on your garage door opener (typically located on the back or side panel).



IMPORTANT: The remote control will activate your door during programming. Ensure door area is clear of ALL obstructions.

Universal Remote Control (ARQ™) Programming
Easy to set up:

1. **GET READY:** put ARQ™ in programming mode and garage door opener in Program/LEARN mode
2. **CHOOSE YOUR BUTTON:** press any button twice that you'd like to program. Press it again when door moves.
3. **CONFIRM:** test your programmed button and watch your door move.

PROGRAMMING

1 Open garage door.



2 (In car): Press and hold the outer buttons on the remote control until the green LED starts solid (3-5 seconds).



3 (In garage): Press and release the Program/LEARN button on the garage door opener.



4 (In car): Press and release the button twice that you would like to program.



5 Wait until the garage door begins to close (up to 60 seconds).



6 Immediately press and release any button on the remote control (within 3 seconds of the door moving).



Steps written bigger.

Step 1: Open garage door

Step 2: (In Car) Press and hold the 2 outer buttons until led light turns solid on Mirror (Approximately 3-4 secs)

Step 3: (In Garage) Press and release the Program/Learn button on the garage door opener

Step 4: (In Car) Press and release the button twice that you would like to program

Step 5: *Wait* Until the garage door begins to close (Up to 45 sec)

Step 6: *Immediately* press and release any button on the mirror (within 3 secs of door closing)