



## Chrysler/Dodge/Jeep Remote Add-On CD Player

5000-8751

### INSTALLATION MANUAL

*Full plug and play kit, factory fit for vehicles with RA1, RA2, RA3, or RA4 radios.*

#### Required for Install:

1. Dodge/Jeep vehicle with Uconnect 3.0, 5.0, or 8.4" Touch Screen.
2. 5000-8751 Installation Kit

#### Vehicle Applications:

- 2014+ Grand Cherokee, Durango.

#### ARC-CDJPLAYER Kit Contents:

1. 5000-8751T-Harness
2. 5091245AE OEM Remote CD player
3. 68212885AA Factory Mounting Insert
4. Remote CD Player Harness – 15 foot
5. 5000-8751 Module to enable CD Player – Does **not** require dealer programming



#### Notice:

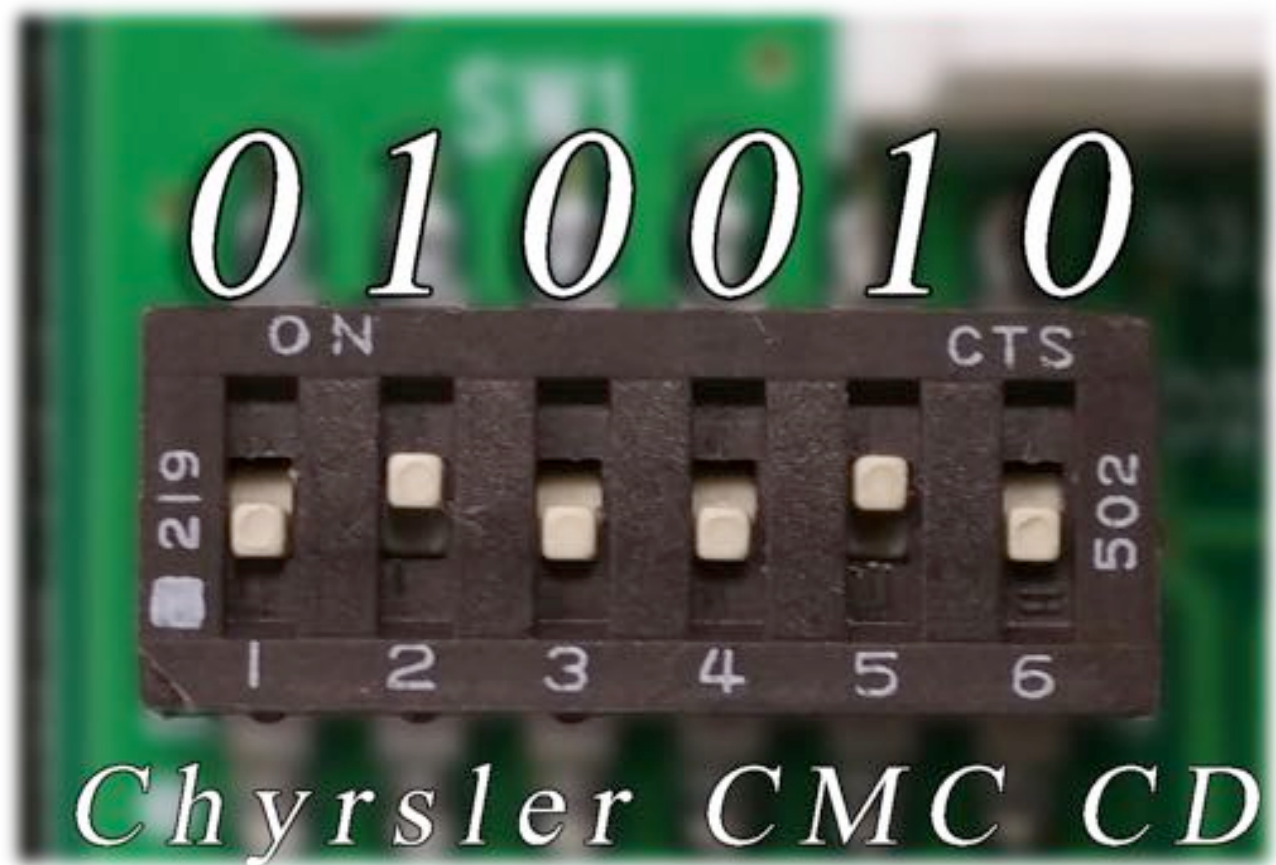
\*\*All information provided in this instructional guide is given on an as-is basis. All wires should be verified and tested for functionality before any connections are made. All wiring connections should be made using OEM approved wire repair techniques which include, but are not limited to, soldering and heat-shrinking all connections. When screwing or drilling, verify clearance on opposite side of work surface. Professional installation is recommended\*\*

## Step 1: Wiring Connections – All Vehicles

**Important Note:** Radio will not function without either the 5000-8751 module **or** the 6-to-4 pin jumper installed.



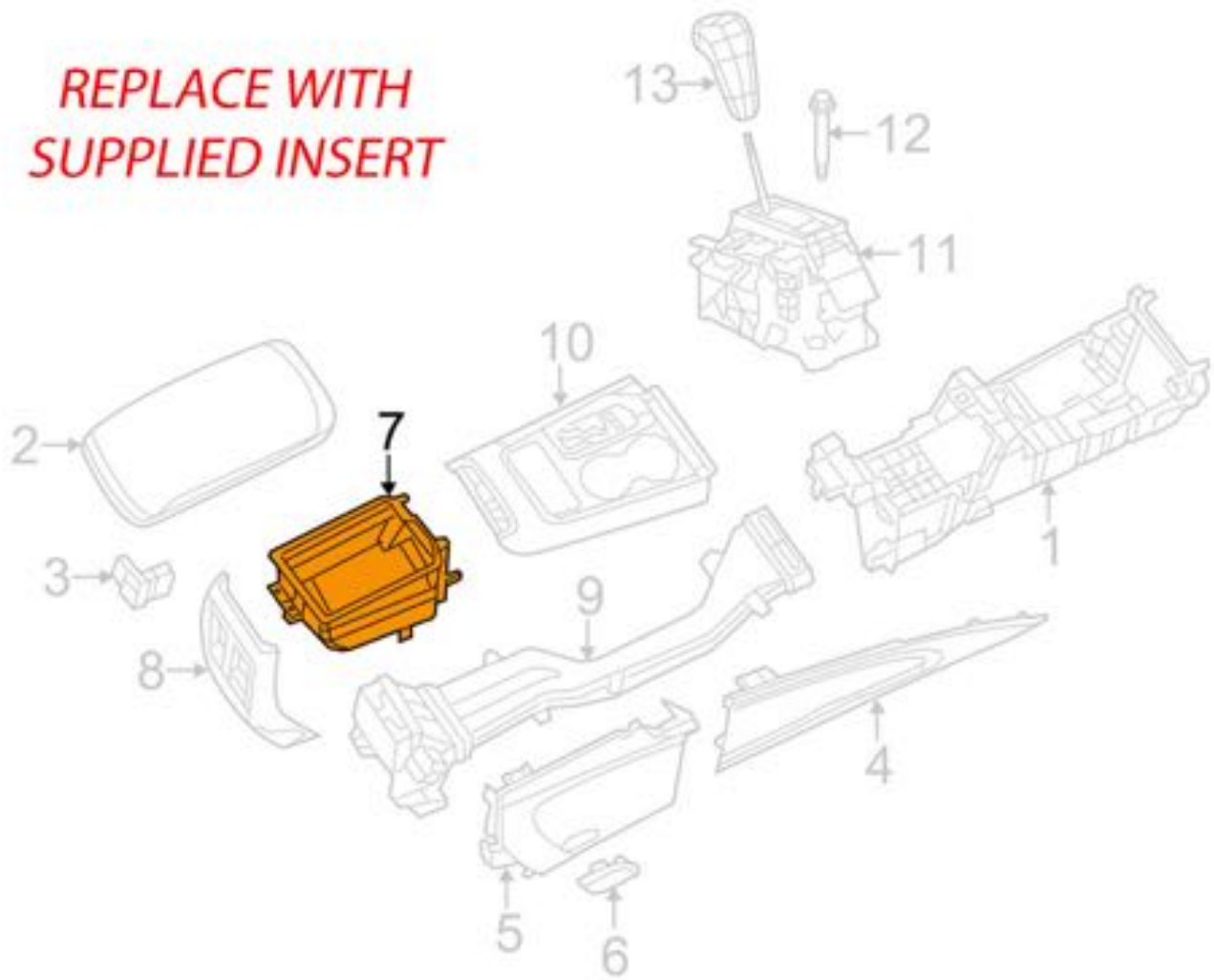
Set DIP switches to match the following diagram.  
Remove radio and install provided T-Harness. You will need to remove the 6-to-4 pin jumper from the T-Harness and replace it with the provided 5000-8751 module.  
Connect module and harness before connecting radio.



Install T-Harness behind radio, and push all wiring and modules back in to dash to allow room for reinstallation of radio. Route remote CD player harness to desired CD player mounting location.

## Step 2: Mounting and wiring installation

**REPLACE WITH  
SUPPLIED INSERT**



Disassemble factory center console to gain access to bin insert under armrest. Route extension harness from the T-Harness behind the radio to the location of the CD player, as pictured.

Install CD player into supplied insert, and install into center console.

## Step 3: Demonstration & Troubleshooting

Once install is finished, replace all panels and ensure cabling is ran in a way that will not pinch or damage wiring. “Disc” will become a new source on the customer’s radio.

**For RA1 or RA2** radios if “Disc” does not appear under the source menu, with all doors shut and vehicle powered down, disconnect the negative side of the battery. Leave disconnected for 5 minutes. Once reconnected, power on vehicle, allowing radio to fully power on. Once powered on, turn vehicle off, open and close door, and allow 5 additional minutes for the vehicle to fully “go to sleep”. Turn vehicle on again and “Disc” should be populated under the sources menu.

The 5000-8751 module must always be connected to the harness and left there before the radio is plugged in.

### **Note for RA2 Radios:**

If after performing the above procedures, “Disc” does not become a source option on the RA2 Radio, the radio will require dealer programming. Have your dealership add the **RH1 Sales Code** to the vehicle as a dealer installed accessory and update the vehicle accordingly.

## Technical Support:

If you need technical support on this product, please call 734-619-1250<sup>1</sup>