

**OEM Tailgate Camera/Bezel Assembly with Chassis Harness
2014-current Chevrolet Silverado and GMC Sierra
(Kit part number 9002-1005)**

Kit Contents:

- Chassis Harness
- 1 bubble bag containing:
 - Tailgate Handle Camera
- 1 bag containing:
 - These instructions

Tools & Supplies Required:

- Socket Wrench or Socket Driver
- 10mm Socket
- T15 Torx Bit
- Torque Wrench
- Plastic Trim Removal Tool
- Phillips and Flat Blade Screwdrivers
- Delphi Terminal Tool 12094429 or a Small Flat Blade Watch Repair Screwdriver
- Power Drill
- 25.4mm (1") Hole Saw
- Center Punch
- Measuring Tape
- Deburring Tool
- Heat Shrink Tubing (recommended) or Electrical Tape
- Soldering Iron and Solder (optional) or T-taps
- Corrosion Inhibitor (recommended)
- Wire Ties (recommended)

Note: We strive to provide accurate and up-to-date installation instructions. For the latest full color instructions, as well as an installation video, please visit www.brandmotion.com

IMPORTANT: Verify kit contents are complete against list above before beginning installation.

Preparation

1. Ensure all lamps and accessories are OFF.
2. Ensure ignition switch is in the OFF position.
3. Loosen negative battery cable bolt. Remove negative battery cable from terminal and position away from battery
4. Wait one (1) minute prior to working on vehicle to assure SIR roof rail airbag system has been disabled for your safety

Install Camera into Tailgate

5. Lower Tailgate and (if equipped) remove plastic Tailgate Protector.
6. Use a T15 Torx Bit to remove (8) screws retaining the Tailgate Access Panel and remove the panel. (Figure 1)

Figure 1



- Disengage (2) plastic Latch Rod Retainer Clips using your fingers. (Figure 2)

Figure 2



- Remove (2) Bolts securing the Tailgate Handle using a 10mm Socket. (Figure 3)

Figure 3



- Use your fingers to press down on the (2) retainer clips securing the Tailgate Handle to the Tailgate outer panel. Lift the Tailgate latch handle in order to aid in removing the Tailgate Handle.
- Remove lock cylinder from original Tailgate Handle. Remove Tailgate Lock Cylinder Retaining Clip and then Tailgate Lock Cylinder and reinstall into supplied Tailgate Handle Camera. (Figure 4)

Figure 4



INSTALLATION INSTRUCTIONS

- Route gray Tailgate Handle Camera connector down through Tailgate Handle opening then out through the hole at bottom of Tailgate.
- Pull gray Tailgate Handle Camera connector through the pass-through hole in the rear of the pickup box.
- Engage (2) clips of Tailgate Handle Camera Assembly into Tailgate until it clicks into place and reinstall (2) Bolts using a 10mm Socket.
- Reattach (2) plastic Latch Rod Retainer Clips using your fingers.
- Reattach (8) screws securing Tailgate Access Panel using a T15 Torx bit.
- (If equipped), reinstall plastic Tailgate Protector.
- Close Tailgate.

Drill Chassis Harness Pass Through

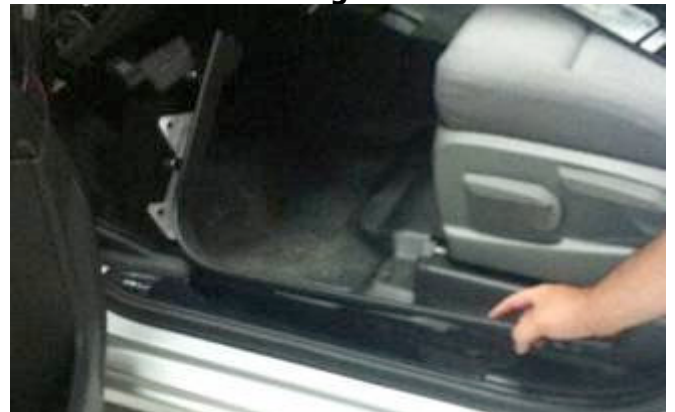
- Using a Plastic Trim Removal Tool, remove Left Instrument Panel Outer Trim Cover. (Figure 5)

Figure 5



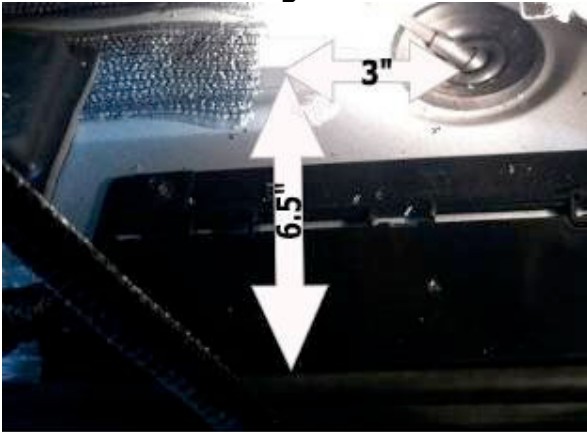
- Remove driver side door sill cover/kick panel cover. (Figure 6)

Figure 6



20. Pull back driver side floor carpet.
21. Use a Measuring Tape to measure the center of the Chassis Harness pass through opening approx. 6.5 inches to the right from the driver side door weather strip and 3 inches forward of the center of the existing grommet. (Figure 7)

Figure 7



22. After making sure that there is nothing on the back side of pass through opening (wiring, parking brake cable, etc), mark center with a Center Punch and use a 1/8" Drill Bit to make a pilot hole. (Figure 8)

Figure 8



23. Use a 1" Hole Saw to cut the Chassis Harness pass through. (Figure 9)

Figure 9



INSTALLATION INSTRUCTIONS

24. Insert RCA connector end of supplied Chassis Harness through cab floor using the Chassis Harness pass through. Carefully pull the grommet through the opening but do not seat the grommet yet.
25. **Recommended:** Apply a corrosion inhibitor to the Chassis Harness pass through hole. (Figure 10)

Figure 10



26. Seat Chassis Harness grommet by pulling it snug with the floor. (Figure 11)

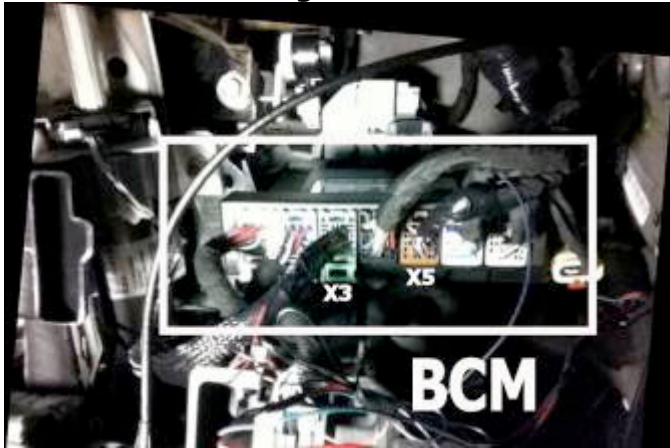
Figure 11



Wire Chassis Harness

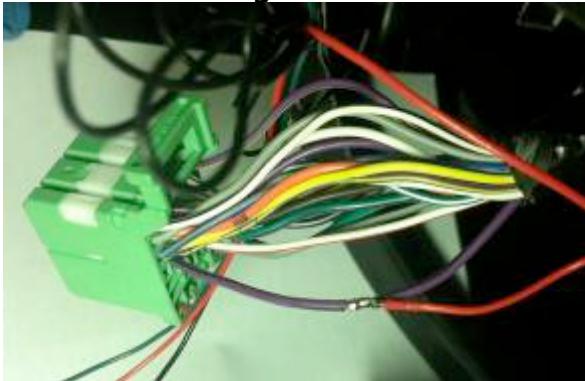
27. Use a T15 Torx bit to remove the (2) bolts securing the driver side knee bolster.
28. Locate the Body Control Module (BCM) below the dash just to the left of the steering wheel. Note: the BCM connectors face toward the firewall. (Figure 12)

Figure 12

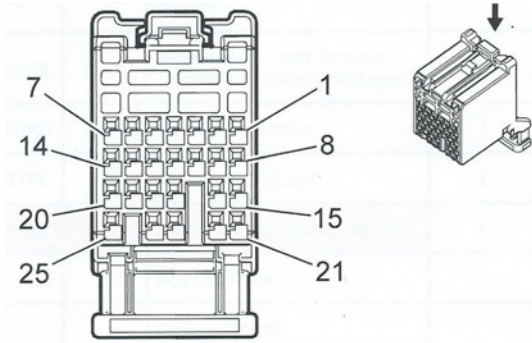


29. Remove **green** BCM X3 Connector from the BCM. (Figure 11). Splice **Red** Ignition wire of the Chassis Harness to the Violet/Black wire in Pin 6 of the connector (**Recommended:** Solder and cover with Heat Shrink Tubing. (Figure 13)

Figure 13



Green BCM Connector X3 Pinout



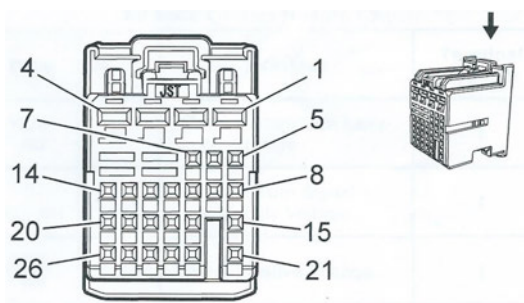
INSTALLATION INSTRUCTIONS

30. Reinsert green BCM X1 connector in the BCM.
31. Remove the **brown** BCM X5 Connector from the BCM. (Figure 11) Splice **Green** Reverse wire of the Chassis Harness to the Dark Blue/Brown wire in Pin 26 of the connector (**Recommended:** Solder and cover with Heat Shrink Tubing. (Figure 14)

Figure 14



Brown BCM Connector X5 Pinout



32. Reinsert brown BCM X5 connector in the BCM.
33. Attach **Ground Eyelet** of the **black** Ground wire on the supplied Chassis Harness to chassis ground using the stud located behind the knee bolster indicated in Figure 15.

Figure 15



Connect & Secure Chassis Harness

34. Plug the RCA connector end of the supplied Chassis Harness into Video In your aftermarket display.
35. Route supplied Chassis Harness along existing chassis harness toward rear of vehicle, staying clear of body mounts. (Figure 16)

Figure 16



36. Connect supplied Chassis Harness to Tailgate Handle Camera harness.
37. Secure supplied Chassis Harness along the existing Chassis Harness using Wire Ties (recommended) every 200mm (approximately 8"). **Note:** Depending on vehicle wheelbase there may be excess length in the Chassis Harness. Loop, and secure with Wire Ties (recommended) or Electrical Tape, any excess harness length along the Body Frame away from Mechanical areas.
38. Reconnect negative battery terminal. Tighten negative cable nut to 5 N·m (44 lb in).
39. Test system functionality: start vehicle, apply brake, and shift into Reverse. The camera image should appear in your aftermarket display.
40. Re-install all previously removed trim.