

## **3-Input Video Switcher (Kit # 9002-6117)**

**Please read thoroughly before starting installation and check that kit contents are complete.**

### **Items Included in the Kit:**

Video RCA harness  
Trigger harness  
Circuit board  
These instructions

### **Tools & Supplies Needed:**

Wire strippers  
Wire cutters  
Electrical tape  
Zip ties  
Plastic panel removal tools  
Digital Volt Meter / BCM safe test light  
Screwdriver  
Socket set  
Wrench

### **Safety Precautions:**

- Work in well ventilated area that is clear of obstructions.
- Secure vehicle with tire chucks in both front and rear of tires.
- Turn vehicle accessories OFF and ensure ignition key is in OFF position.
- Wear safety goggles and snug fitting clothes.
- Use tools only for their intended purpose and which are in good repair.
- Only perform this task if confidence, skill, and physical ability permit.

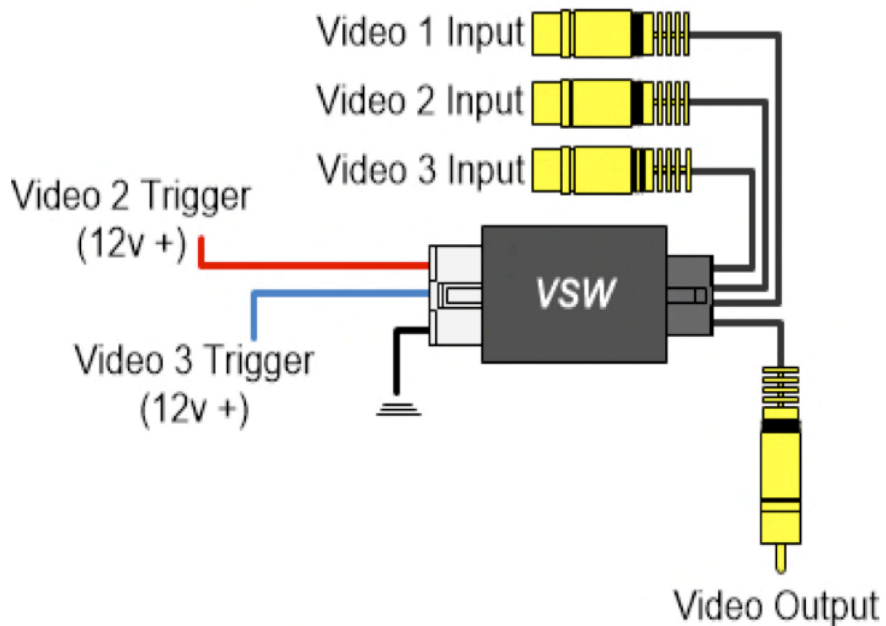
**NOTE: We strive to provide accurate and up-to-date installation instructions. For the latest full color instructions, as well as an installation video, please visit [www.brandmotion.com](http://www.brandmotion.com)**

**Power/Trigger Harness:**

**Black:** Ground (-)

**White/Blue:** Supply 12v (+): Activates VIDEO 3

**White/Red:** Supply 12v (+): Activates VIDEO 2



- **Video 1 Input** and **Video Output** are normally connected (passing video signal) when **no 12v (+) is present on either trigger**.