

SummitView Multi-Camera Store Display
DISP-2003

Items Included in the Kit:

- DISP-2003
- 7" Monitor w/ mounting foot for center bolt
- Power Supply
- (2) 1/2"x13, 1 1/2" Bolts
- (4) 1/2"x13 Nuts
- (2) 1/4x20, 1 1/2" Screw
- (6) #6 3/4 Pan Phillips Tek Screw
- (1) Plastic Spacer
- (30) SummitView Marketing Brochures
- Plastic Pamphlet Holder

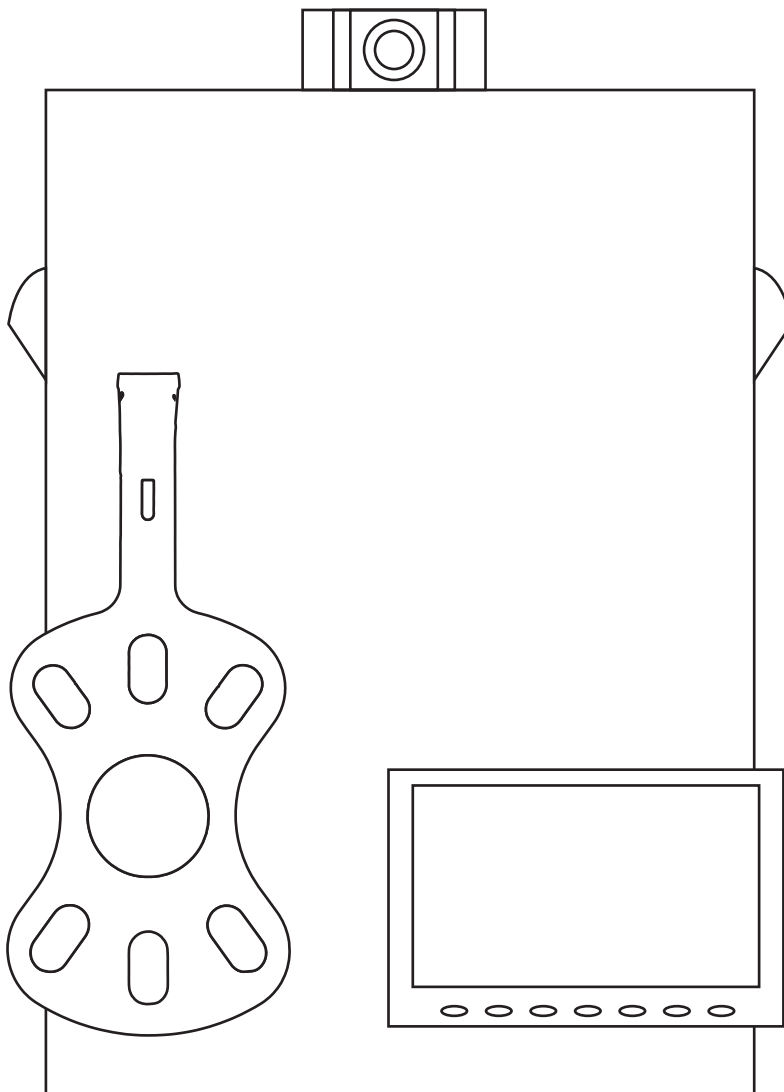
Tools & Supplies Needed:

- Phillips screw driver
- Adjustable wrench
- Wire strippers
- Straight Pick Tool
- Electrical Tape
- Soldering Iron (optional)

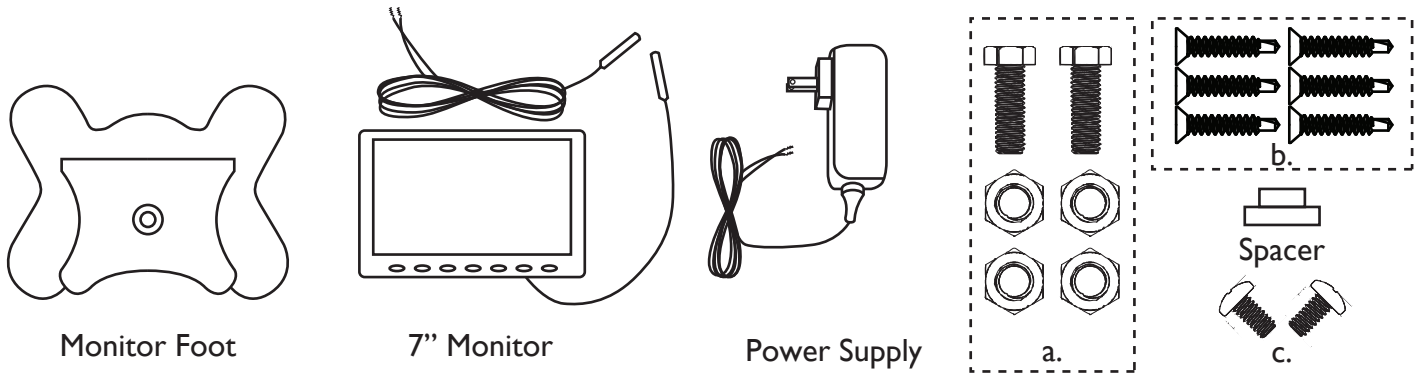
Camera Kits Required:

AVMS-3700/AVMS-3701

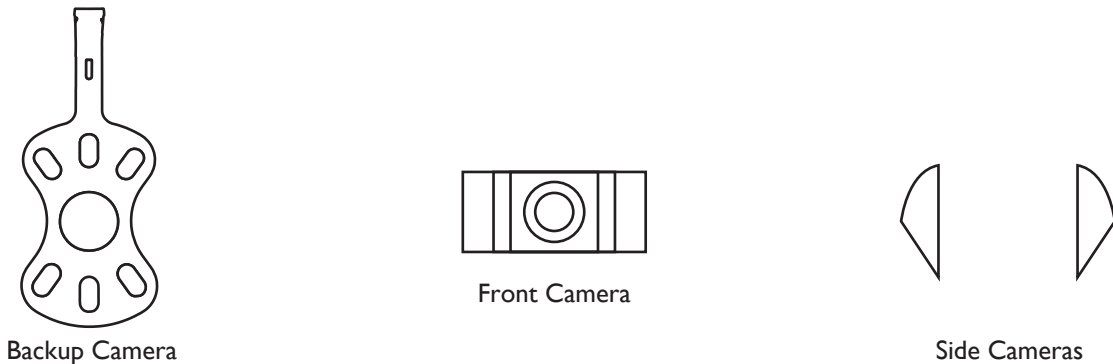
(The product system can be easily removed and mounted to a vehicle at any point in time)



Step 1. Check that all parts are included in this kit.



Step 2. Locate all camera kits that will be attached to display stand. (sold separately)



AVMS-3700/AVMS-3701

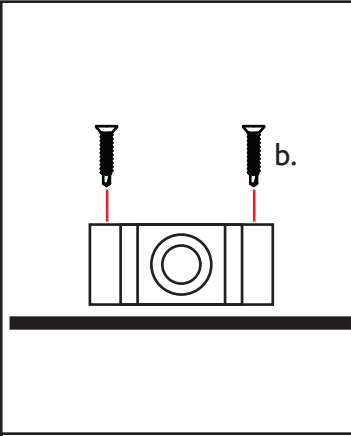
Step 3. Installation of Backup Camera

	<p>inside outside</p> <p>a.</p>		<p>Bracket</p> <p>inside outside</p> <p>a.</p>
<p>3.1- Locate the two mounting holes and the single harness storage hole.</p>	<p>3.2- Feed bolts from inside display and tighten offset nuts from outside display.</p>	<p>3.3- Feed camera harness through top hole. Locate two holes in bracket and slide bracket onto bolts.</p>	<p>3.4- Attach second nut to bolt on exterior of bracket, then tighten to secure bracket in place.</p>

Step 4. Installation of Front Camera



4.1- Center the camera on the top of the display, allowing the front of the camera to slightly overhang.

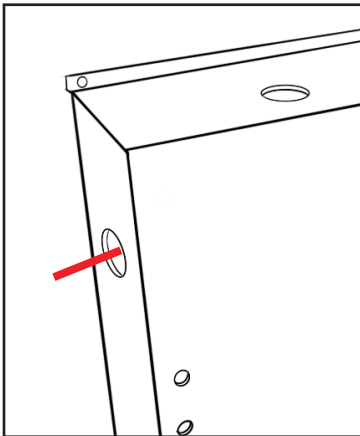


4.2- Drill 2 self tapping screws into top of display.



4.3- Attach camera and retaining bracket to inside of housing. Feed video harness through top hole for storage.

Step 5. Installation of Side Cameras



5.1- Locate the two large mounting holes on either side of the display.



5.2- Attach bracket to camera housing.



5.3- Slide harness and camera through hole, then fix in place with 2 Tek screws.

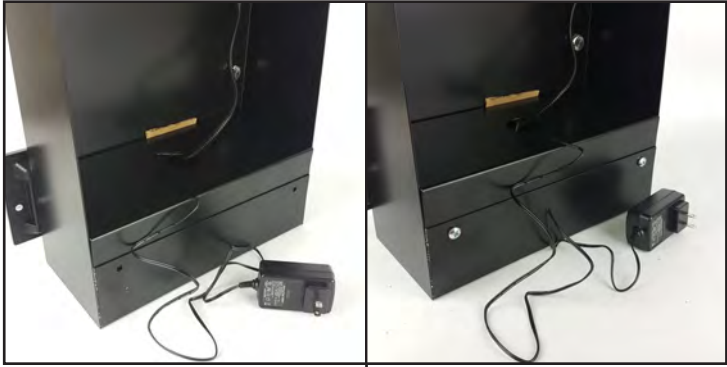
Step 6. Installation of 7" monitor

<p>6.1- Locate the mounting and video harness hole.</p>	<p>6.2- Remove the monitor, video input/power harness, and stand from monitor box.</p>	<p>6.3- Remove metal square, retaining collar, and bolt from stand. Use pick to dislodge retaining collar from bolt.</p>	<p>6.4- Slide plastic washer over bolt, insert through back of display at location marked, then loosely attach metal square. Feed video cable through lower hole. Slide monitor over metal square and gently tighten.</p>

Step 7. Electrical wiring

<p>7.1- Feed video harness from backup camera and power supply cord through top of metal plate as shown.</p>	<p>7.2- Locate power/video harness for camera and monitor. Strip ends of loose red and black wires for both. <u>Do not strip brown wire.</u></p>	<p>7.3- Secure positive and negative connections between harnesses. Remove end of power supply, strip wires, then secure positive and negative connections. <small>(on power supply, gray dashed line is negative)</small></p>	<p>7.4- Secure waterproof connection of back up camera, video input, and 6-pin connector.</p>

Step 6. Installation of harness cover.



8.1- Ensure that power supply and backup harnesses exit the top of the bracket. Slide into place, being careful not to pinch any wires.

8.2- Screw bracket to display body.

